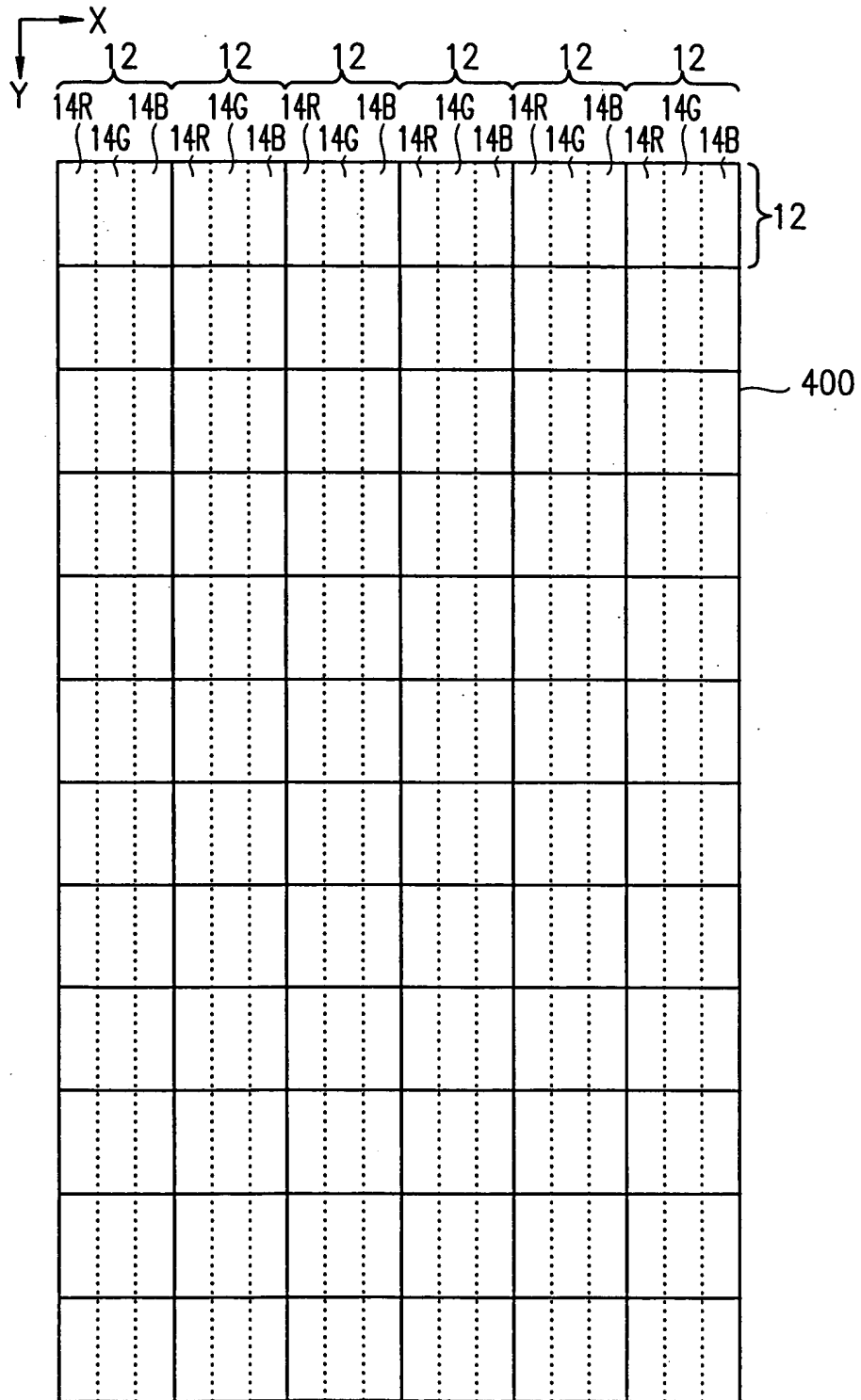
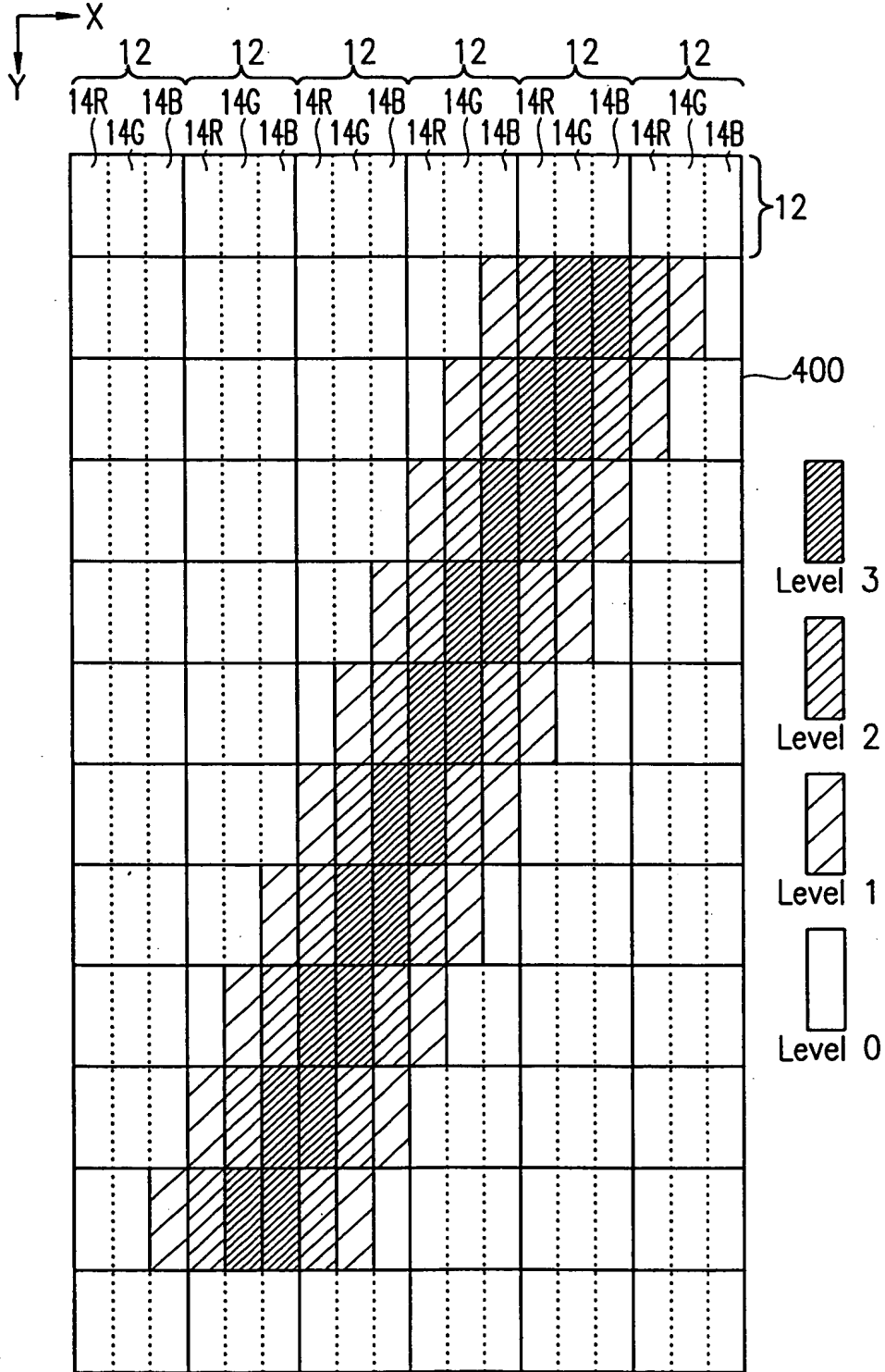


FIG. 1



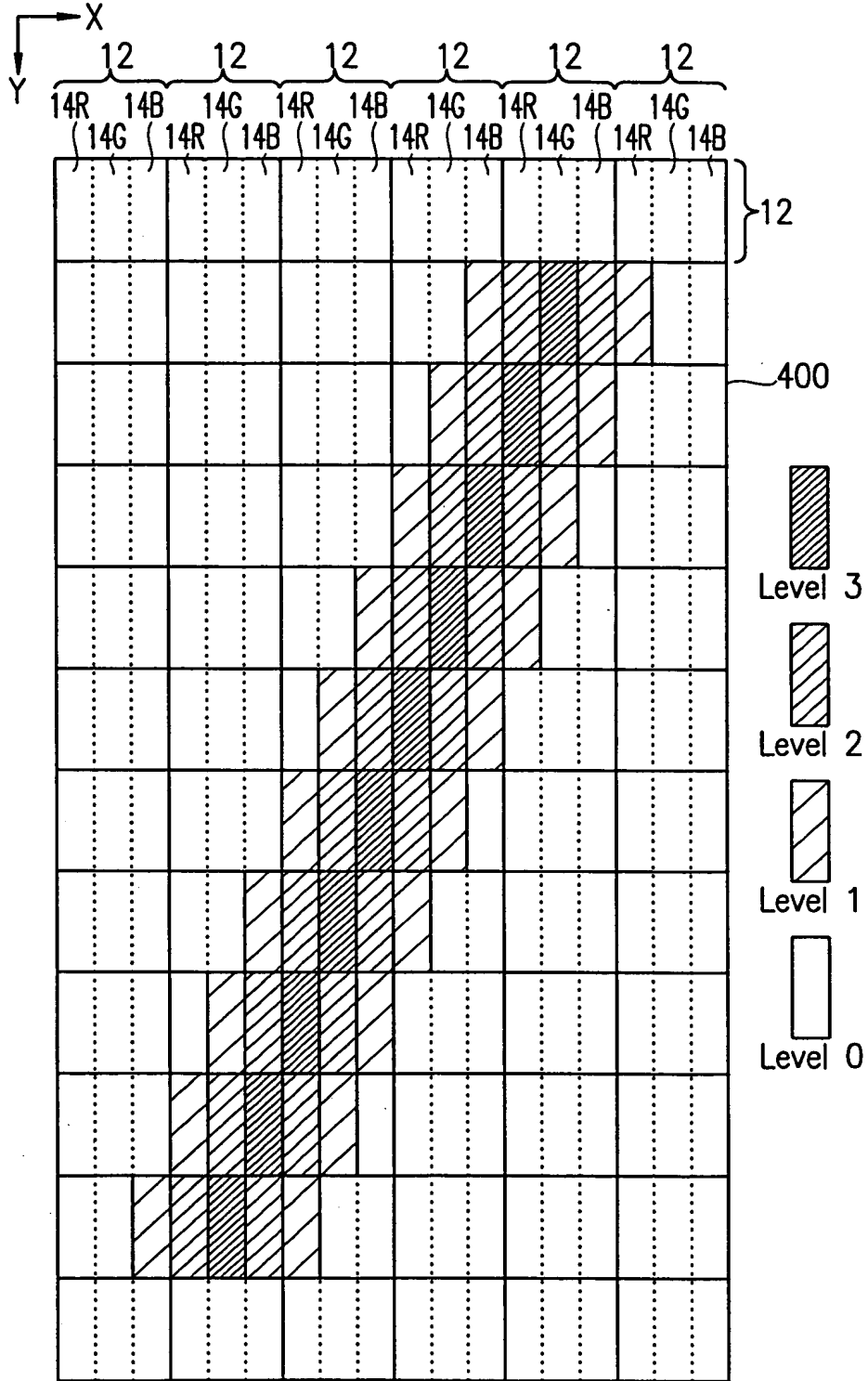
709250 249860

FIG. 2



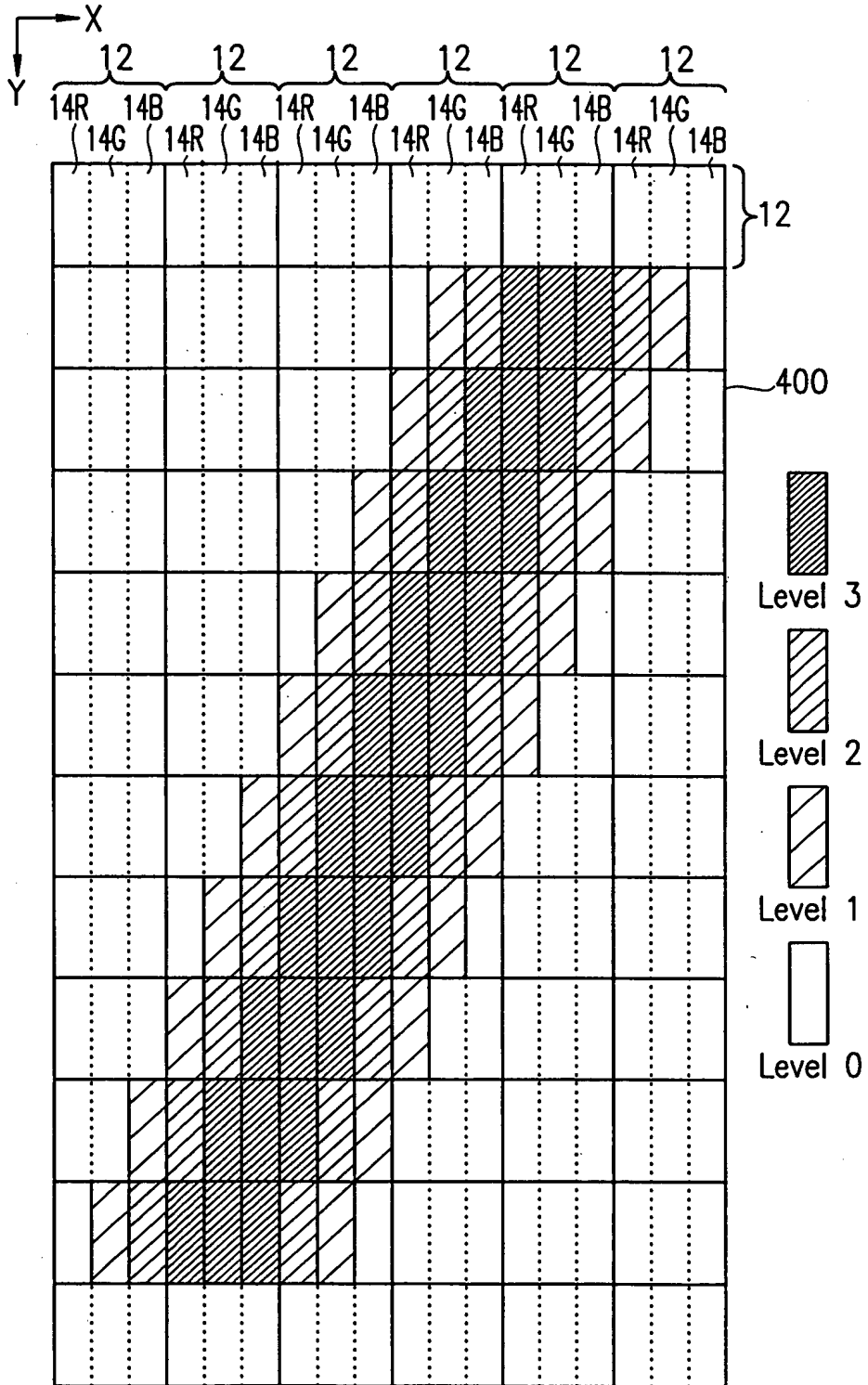
FOSSO" 4T2H9860

FIG. 3



09549860

FIG. 4



FO5250" 21249860

FIG. 5

Brightness table 92

		Brightness level		
		R	G	B
Color element level	7	0	0	0
	6	36	36	36
	5	73	73	73
	4	109	109	109
	3	146	146	146
	2	182	182	182
	1	219	219	219
	0	255	255	255

202507249360

FIG. 6

Brightness table 94

		Brightness level		
		R	G	B
Color element level	7	0	0	0
	6	30	30	30
	5	60	60	60
	4	100	100	100
	3	150	150	150
	2	185	185	185
	1	220	220	220
	0	255	255	255

FIG. 7

Brightness table 96

		Brightness level		
		R	G	B
Color element level	7	0	0	0
	6	36	36	105
	5	73	73	130
	4	109	109	155
	3	146	146	180
	2	182	182	205
	1	219	219	230
	0	255	255	255

FIG. 8A

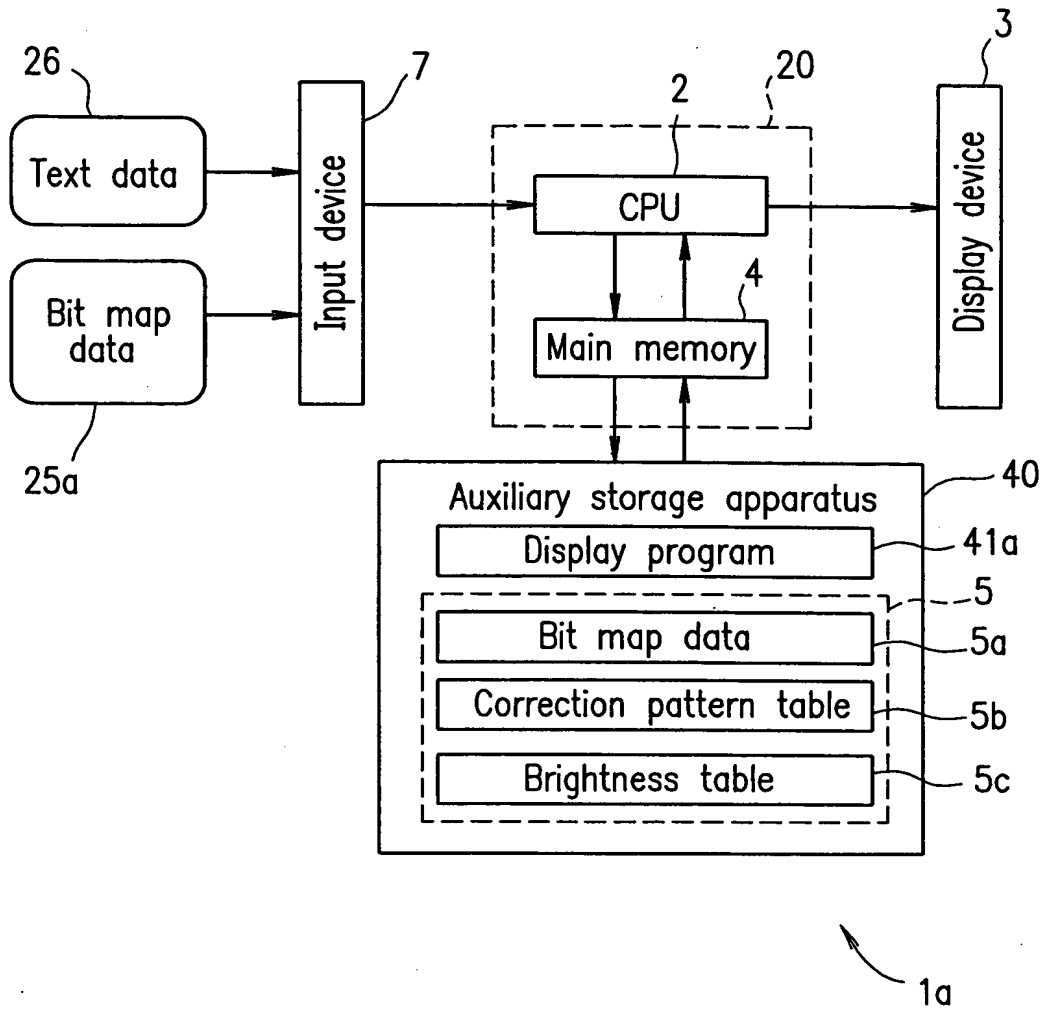
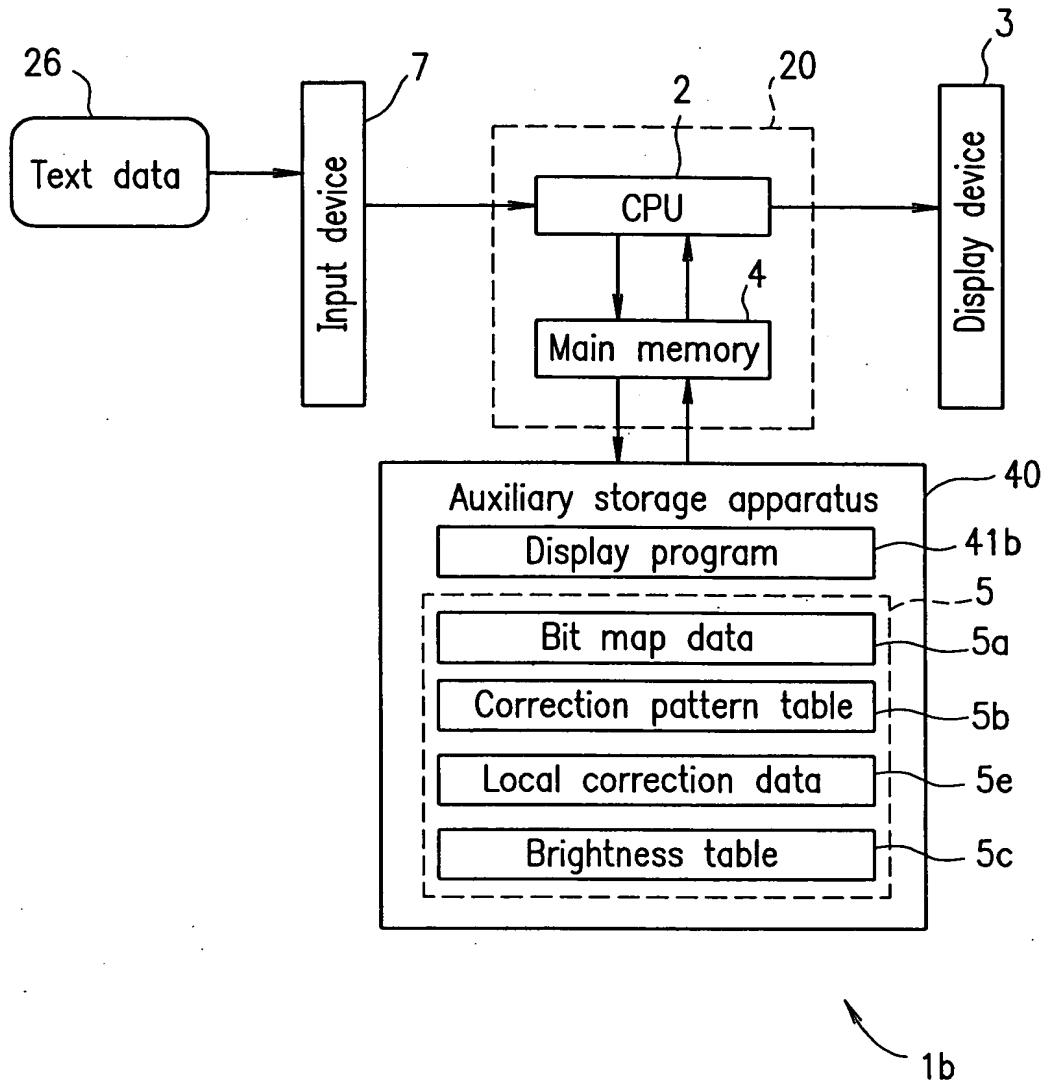


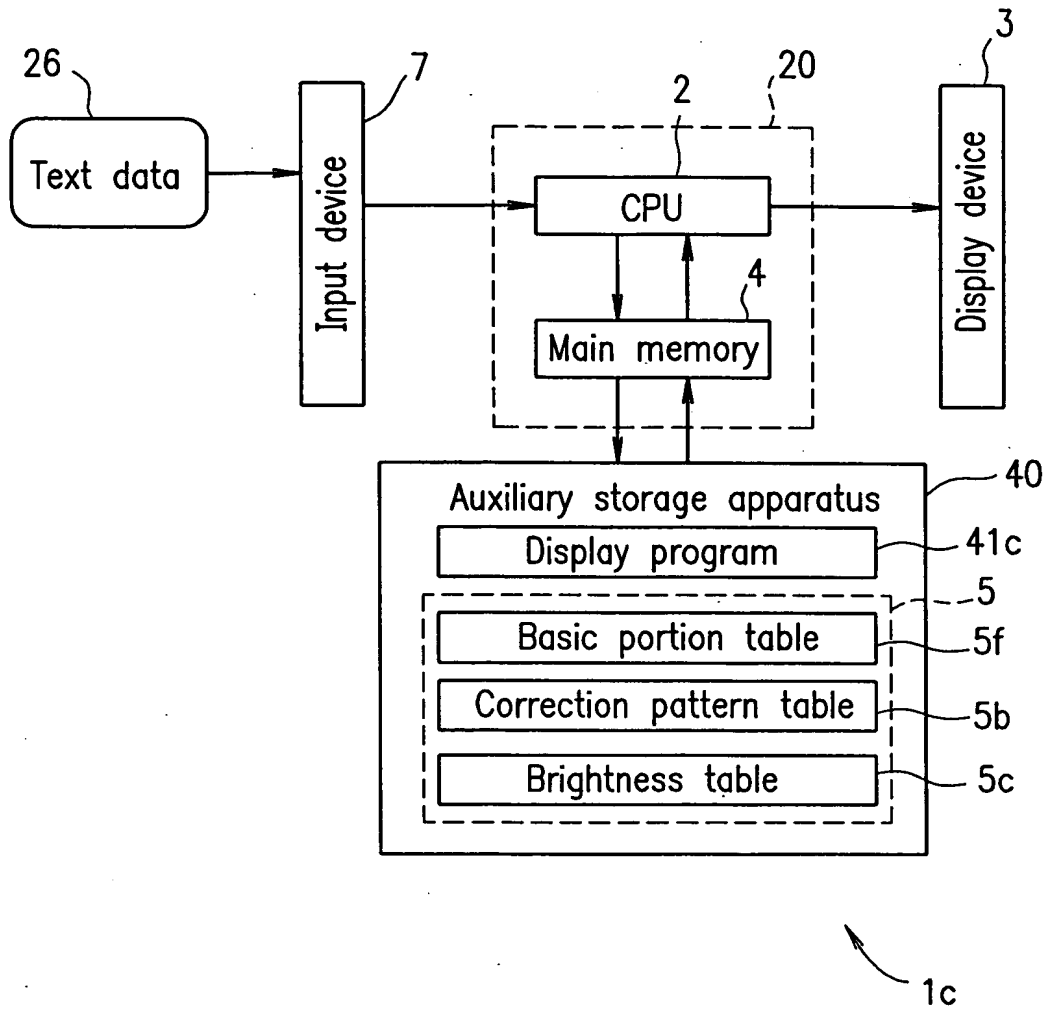
FIG. 8A

FIG. 8B



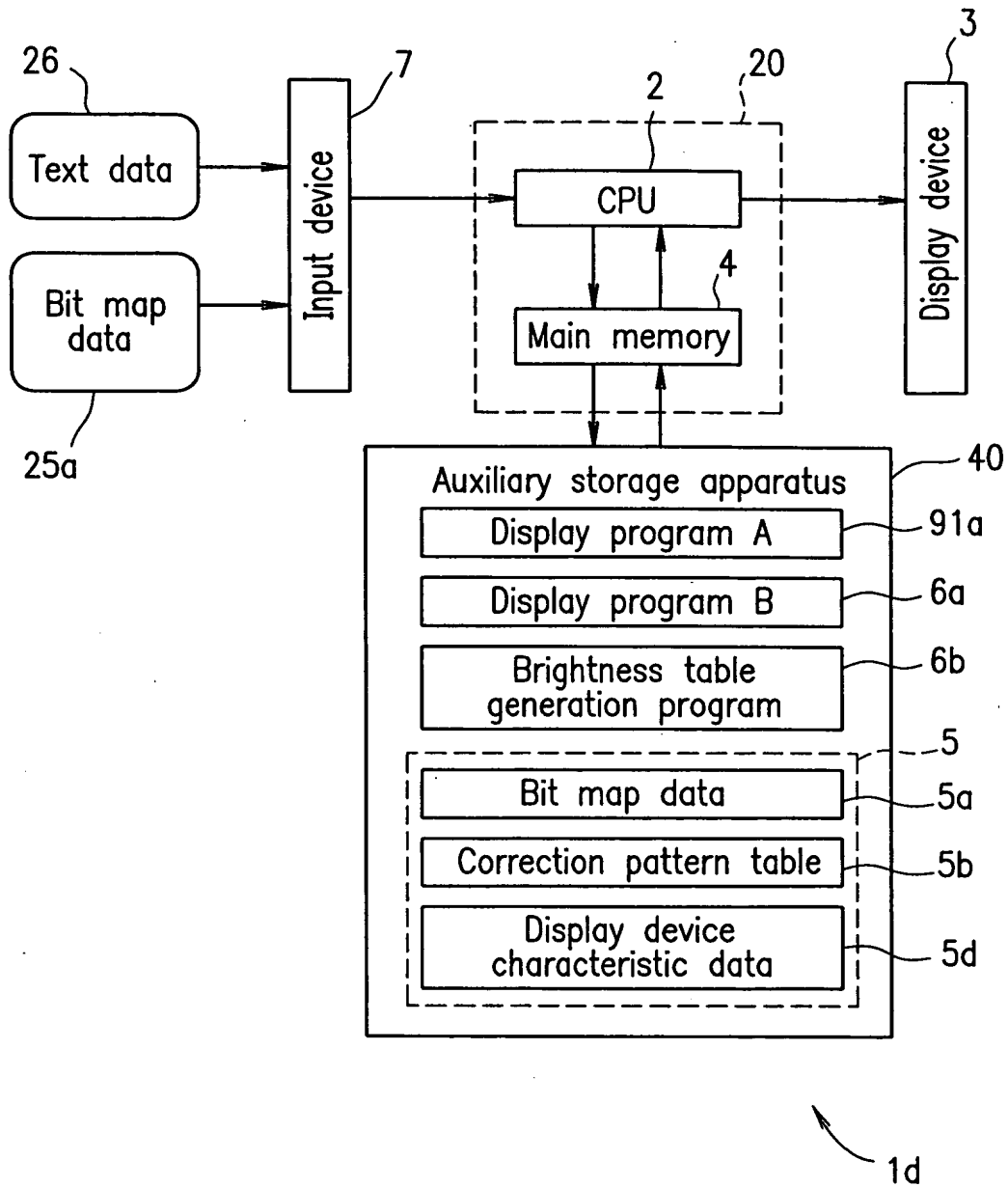
095441 0550

FIG. 8C



405250 41249850

FIG. 8D



F0550 249860

FIG. 9

Correction pattern table 2060

Correction pattern 1	Color element level	Sub-pixel 1	5
		Sub-pixel 2	2
		Sub-pixel 3	1

098421 05304
00550 249860

FIG. 10

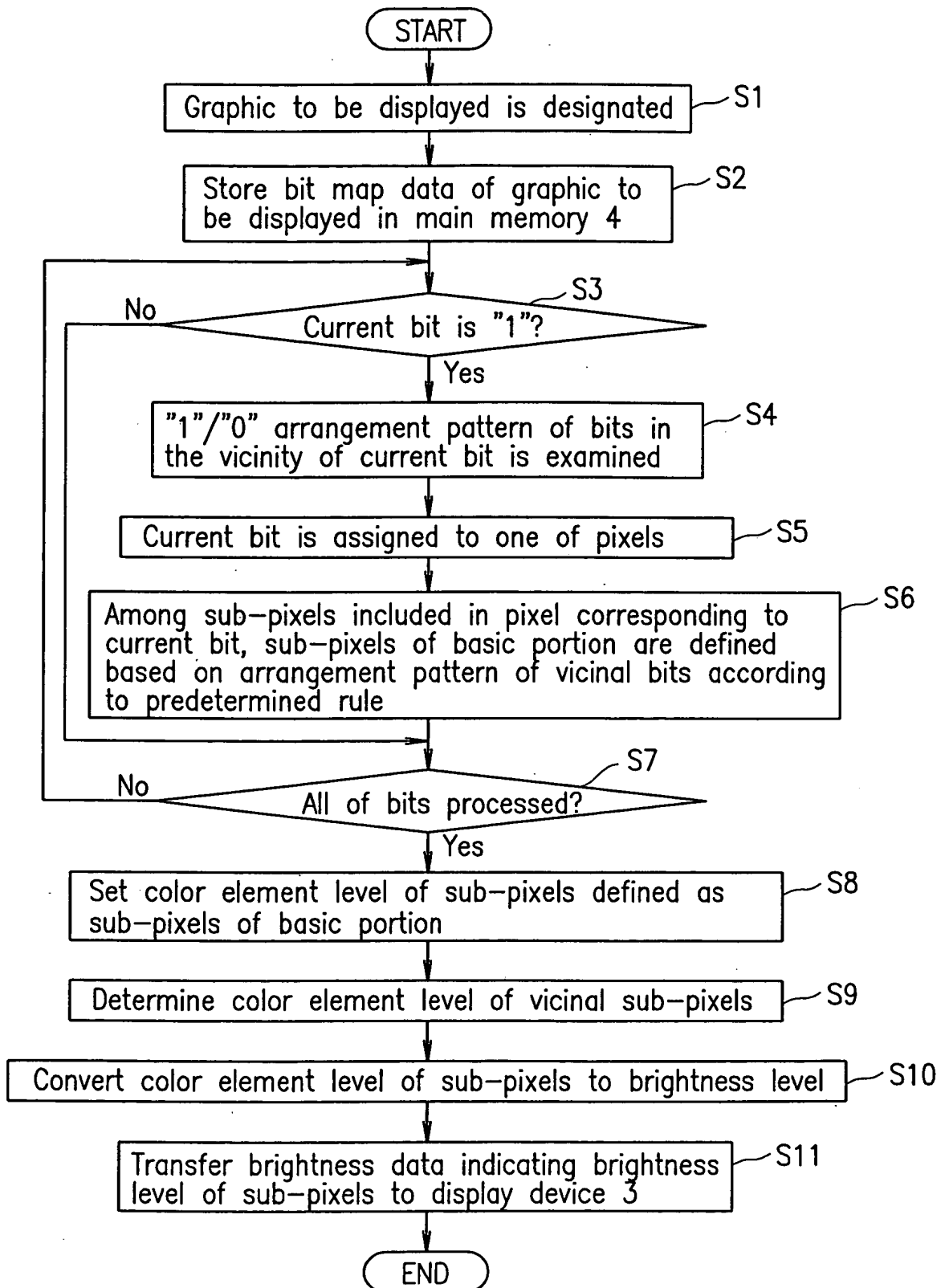


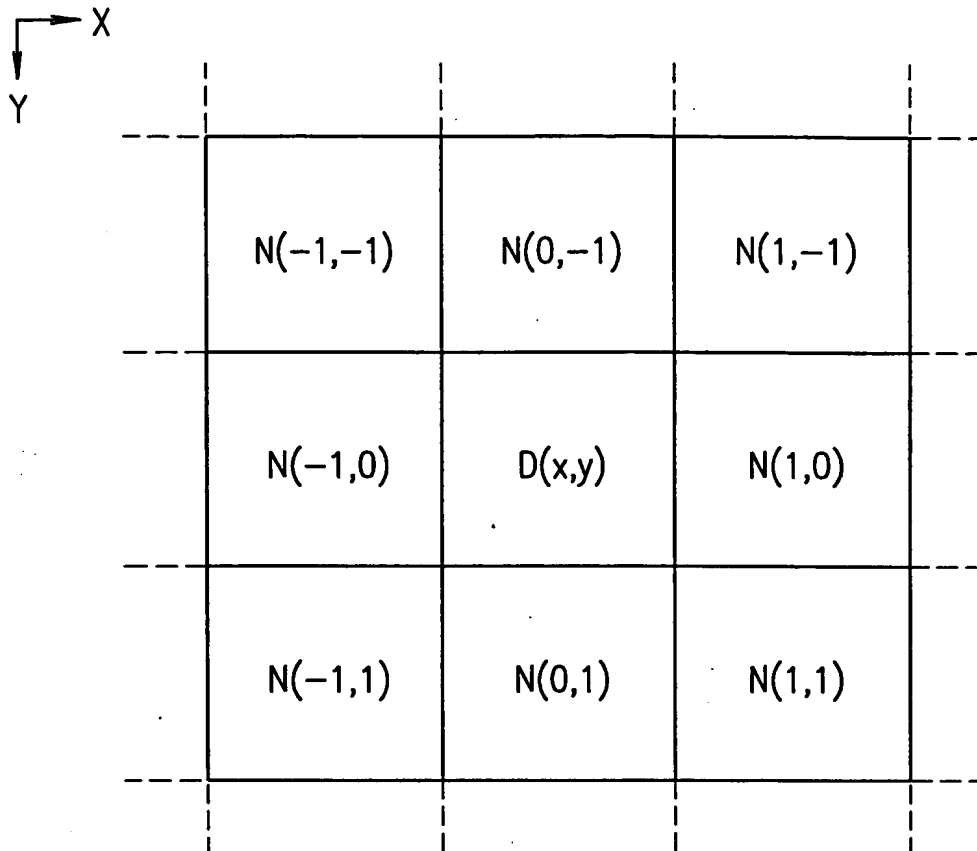
FIG. 11

FIG. 12

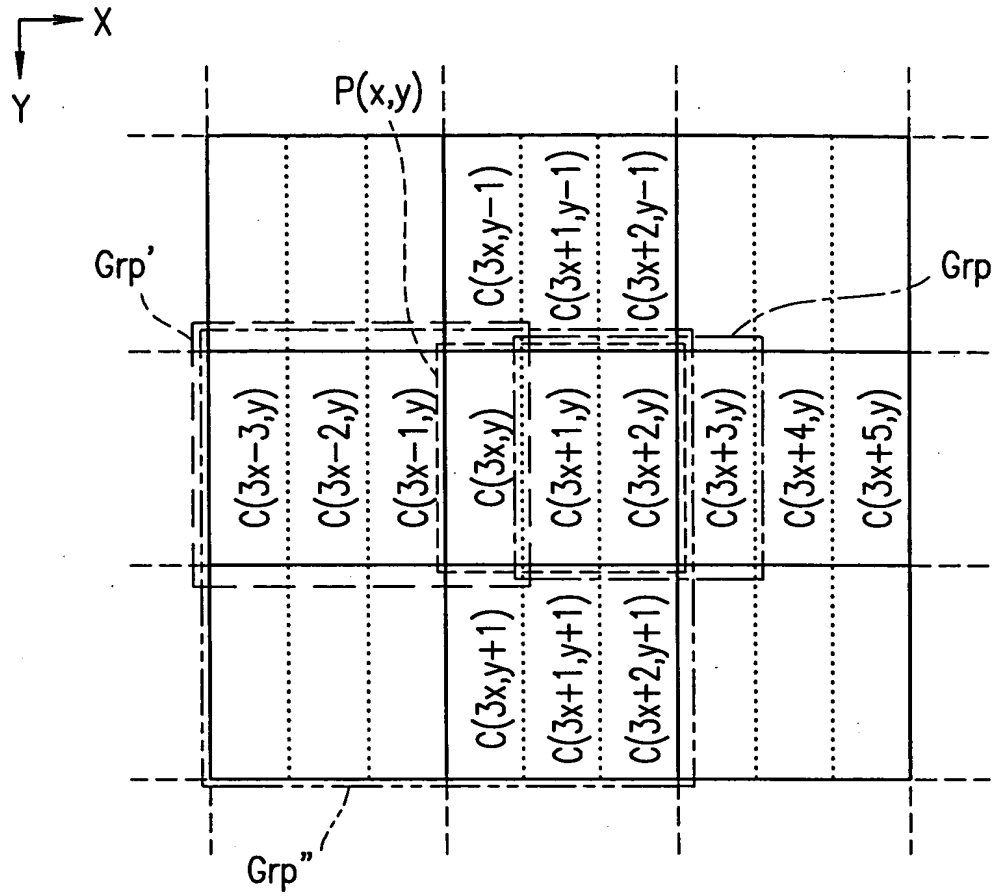


FIG. 13A

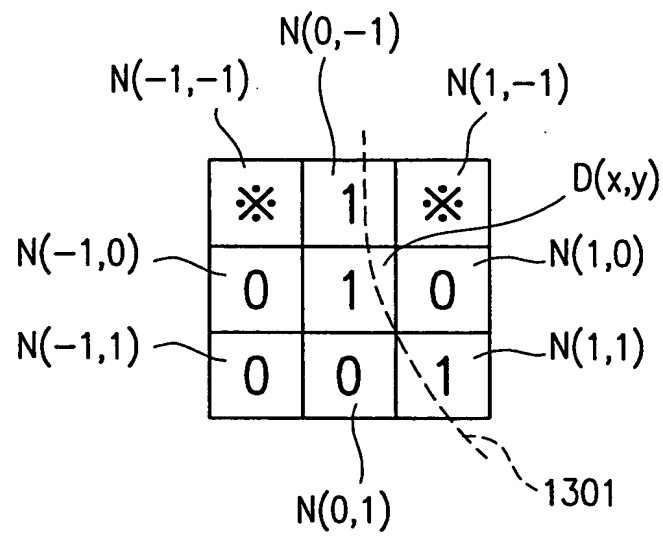


FIG. 13B

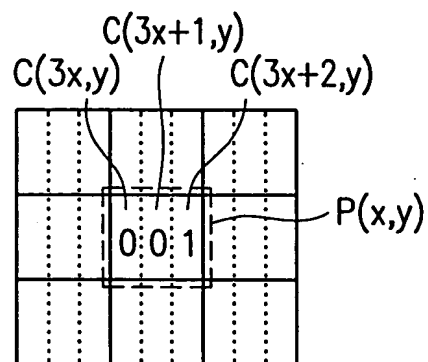


FIG. 14A

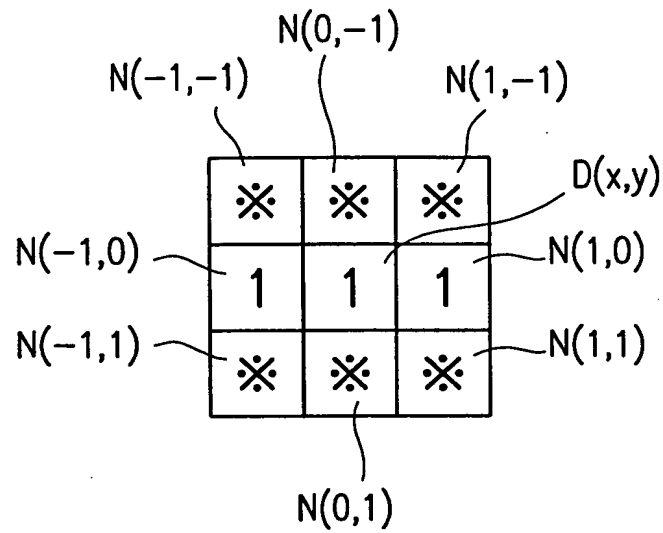


FIG. 14B

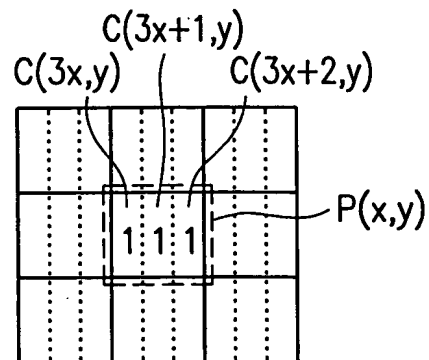


FIG. 15A

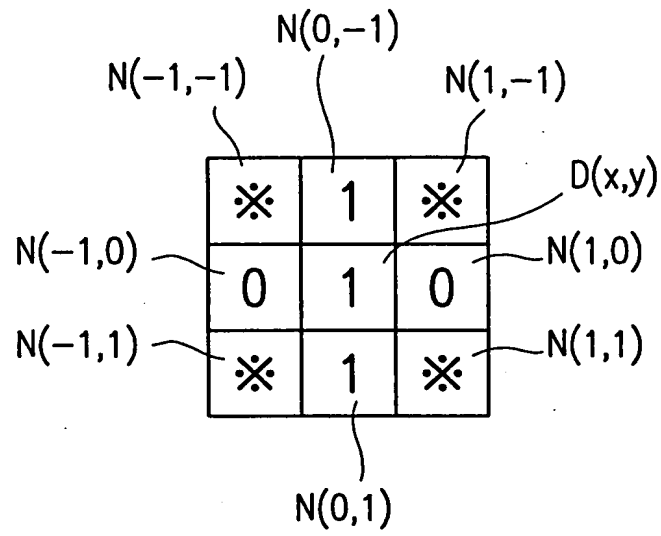


FIG. 15B

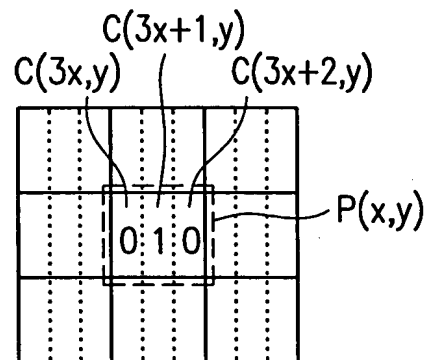


FIG. 16A

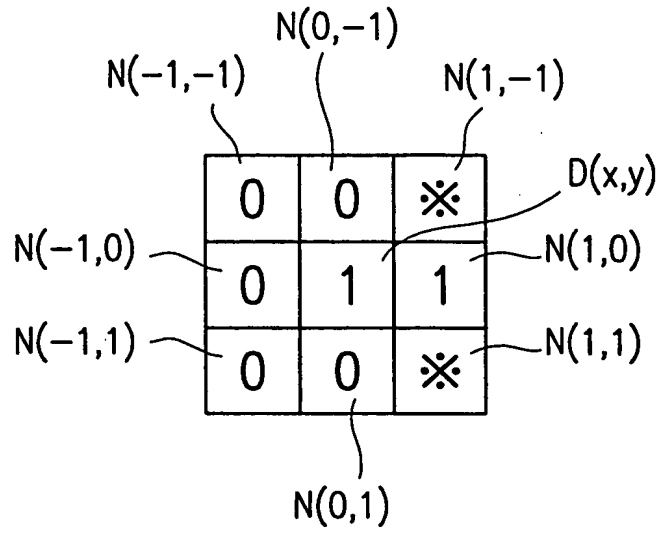


FIG. 16B

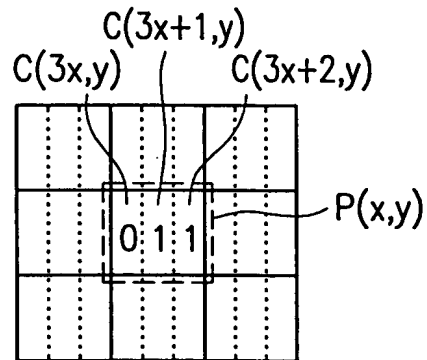
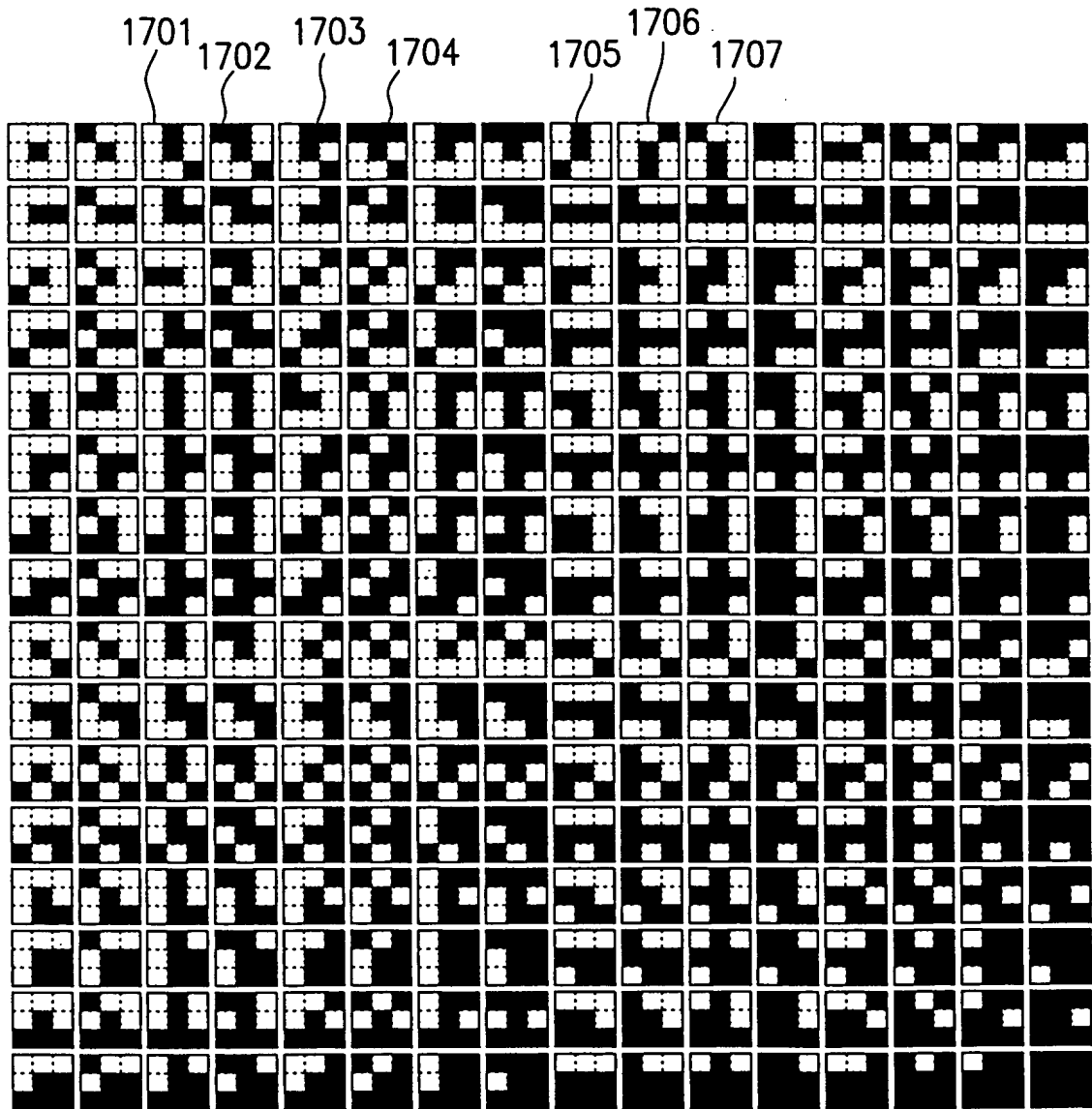
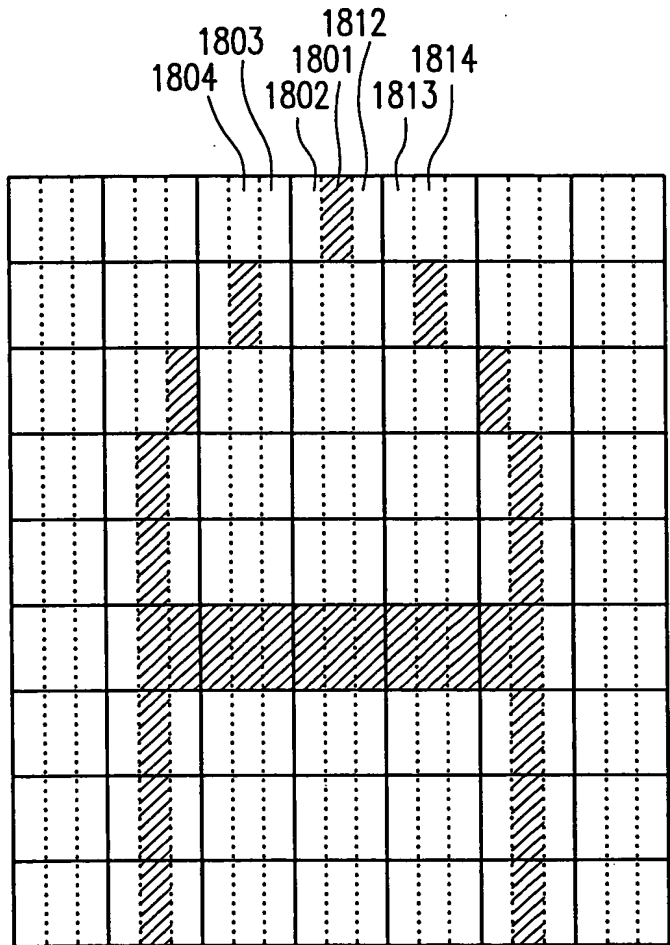
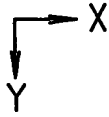


FIG. 17



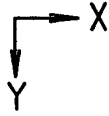
FOSSO" 21249860

FIG. 18



FOCUS 249888

FIG. 19



FOCUS 249860

			1:2	5:7	5:2	1:			
		1:2	5:7	5:2	1:2	5:7	5:2	1:	
	1:	2:5	7:5	2:1			1:2	5:7	5:2
1:2	5:7	5:2	1:				1:2	5:7	5:2
1:2	5:7	5:2	1:				1:2	5:7	5:2
1:2	5:7	7:7	7:7	7:7	7:7	7:7	7:7	5:2	1:
1:2	5:7	5:2	1:				1:2	5:7	5:2
1:2	5:7	5:2	1:				1:2	5:7	5:2
1:2	5:7	5:2	1:				1:2	5:7	5:2

3191

3193 3192 3194

FIG. 20

Correction pattern table 2170

Superfine Correction pattern 1	5
	2
	1
Fine Correction pattern 2	6
	3
	1
Medium Correction pattern 3	5
	3
	2
	1
Bold Correction pattern 4	6
	4
	2
	1
Superbold Correction pattern 5	6
	4
	3
	2
	1

09864217 052504

FIG. 21

Correction pattern table 2180

~ 20 dots Correction pattern 1	5
	2
	1
21 ~ 32 dots Correction pattern 2	6
	4
	2
	1
33 ~ 48 dots Correction pattern 3	6
	4
	3
	2
	1

FIG. 22

Correction pattern table 2270

Normal Correction pattern 1	5
	2
	1
Complicated Correction pattern 2	5
	2

FIG. 23A

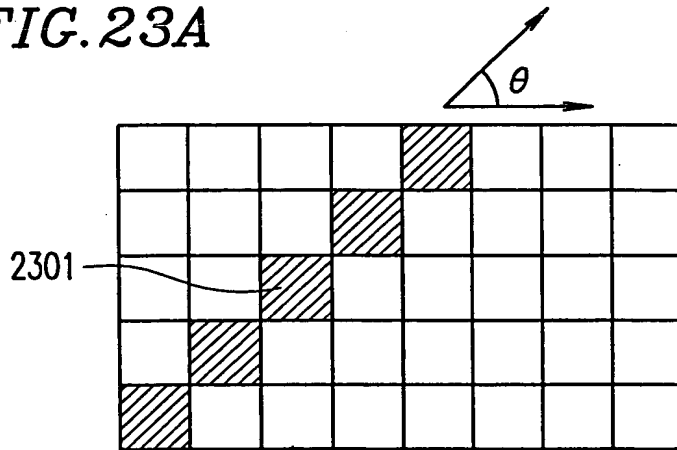


FIG. 23B

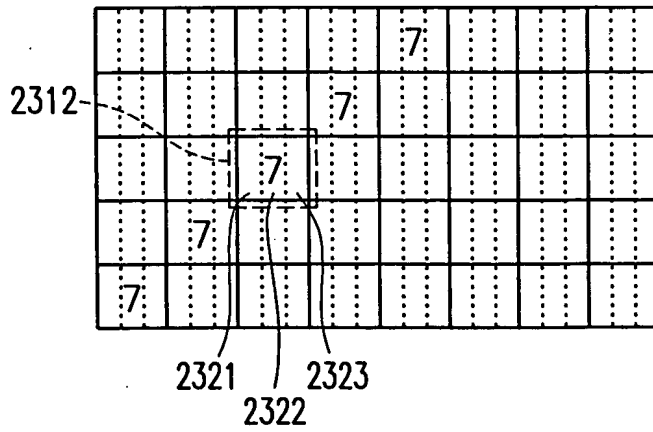


FIG. 23C

				1:2:3:5:7:5:3:2:1			
			1:2:3:5:7:5:3:2:1				
		1:2:3:5:7:5:3:2:1					
1:2:3:5:7:5:3:2:1							
5:7:5:3:2:1							

00847 05204

FIG. 24A

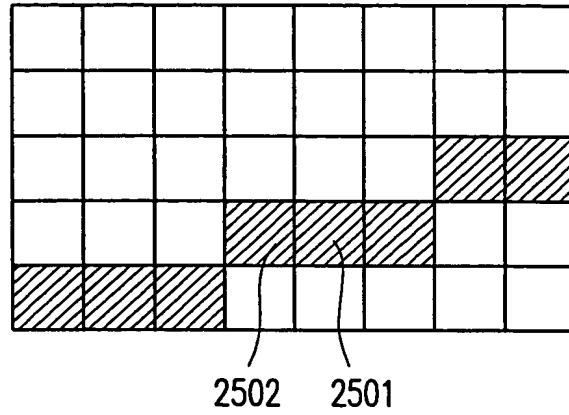


FIG. 24B

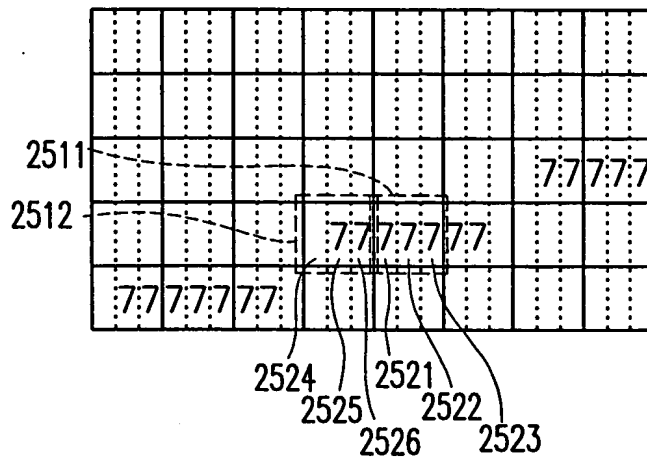


FIG. 24C

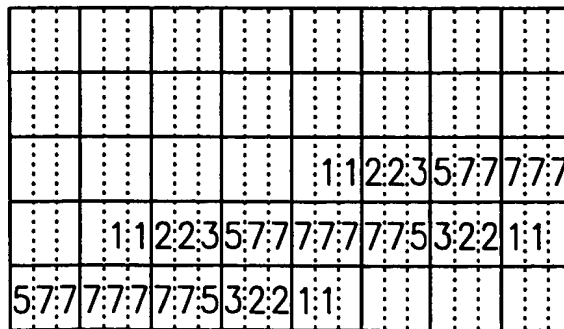


FIG. 24A, FIG. 24B, FIG. 24C

FIG. 25A

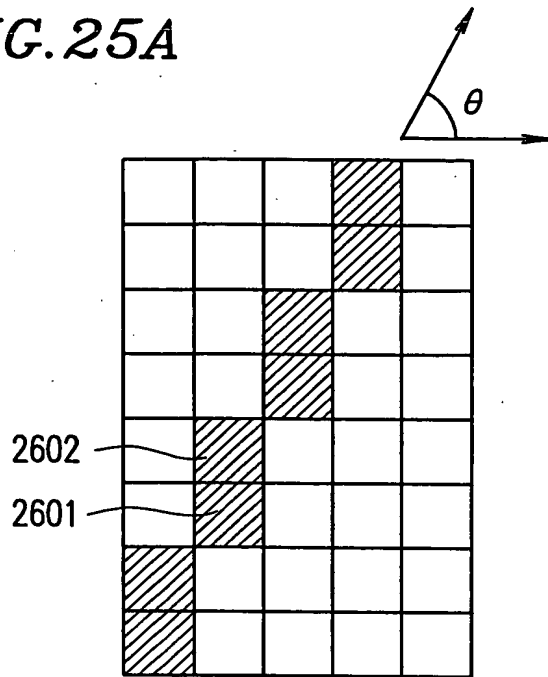
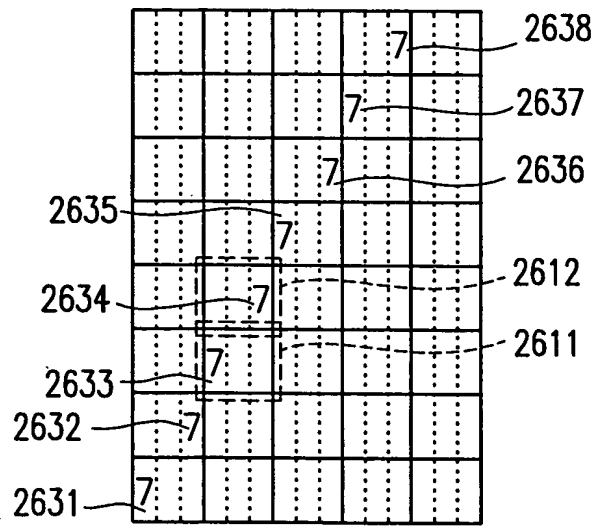


FIG. 25B



FOR OFFICIAL USE ONLY

FIG. 25C

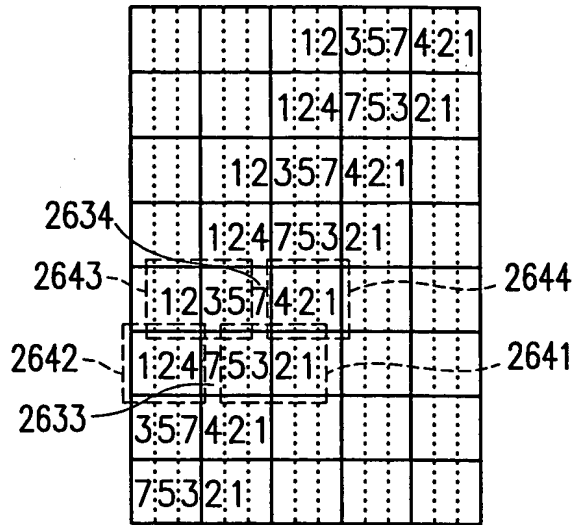


FIG. 25C

FIG. 26A

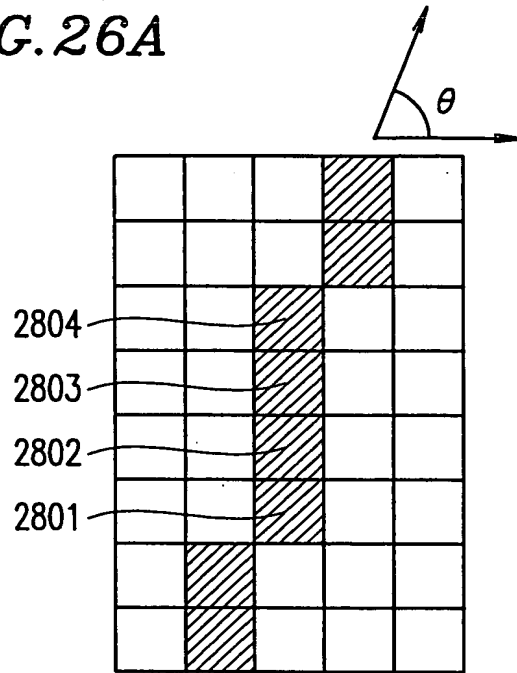
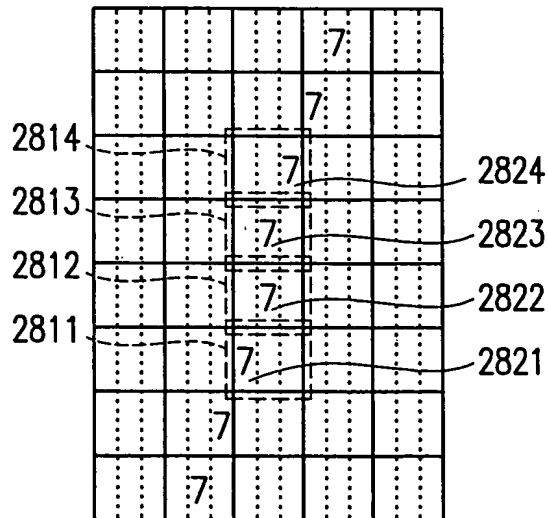


FIG. 26B



FOR PUBLICATION

FIG. 26C

...	...	1:2:3:5:7:4:2:1:		
...	...	1:2:4:7:4:2:1:		
...	...	1:2:4:7:4:2:1:	2824	
...	...	1:2:4:7:5:3:2:1:	2823	
...	...	1:2:3:5:7:4:2:1:	2822	
...	...	1:2:4:7:4:2:1:	2821	
...	...	1:2:4:7:4:2:1:		
...	...	1:2:4:7:5:3:2:1:		

FIG. 27A

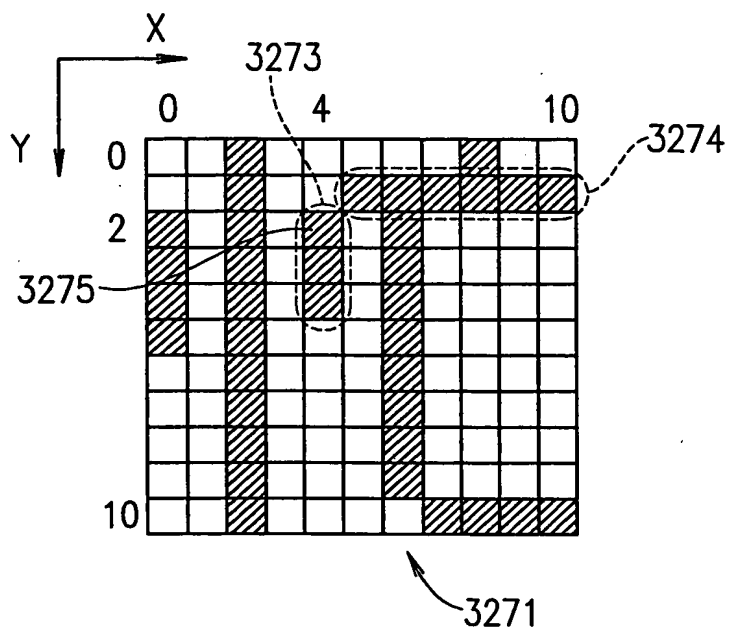


FIG. 27B

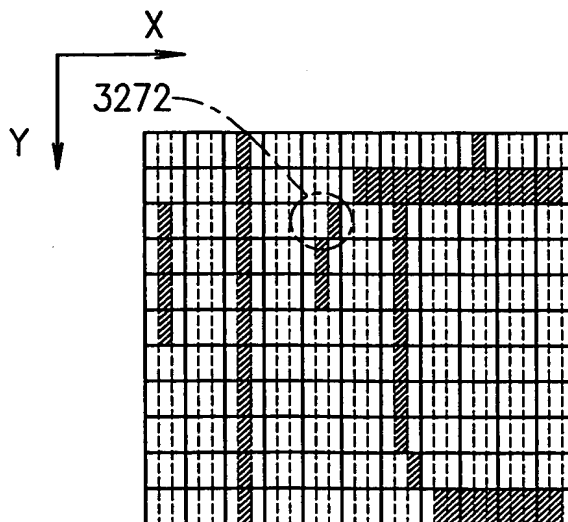


FIG. 28

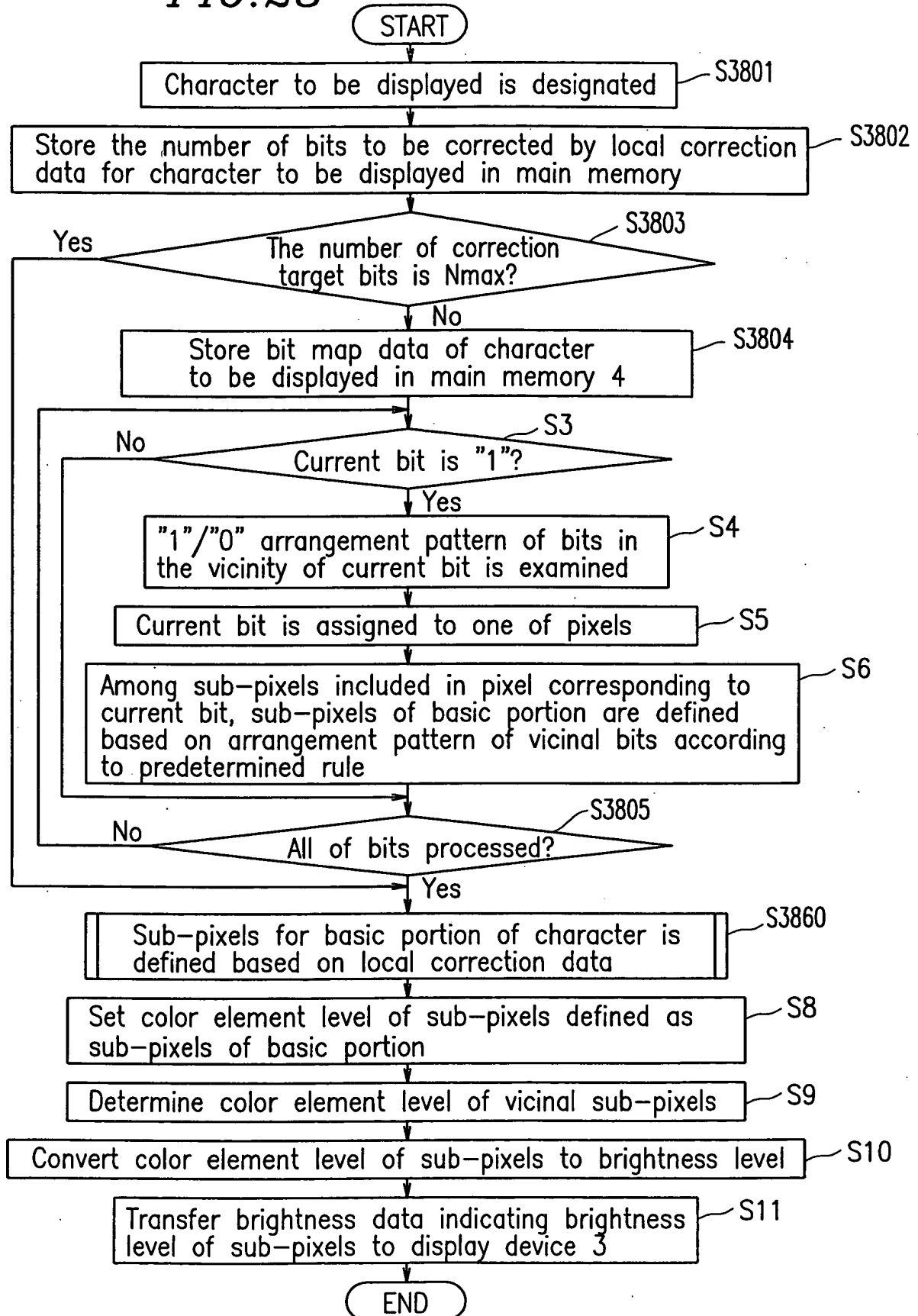
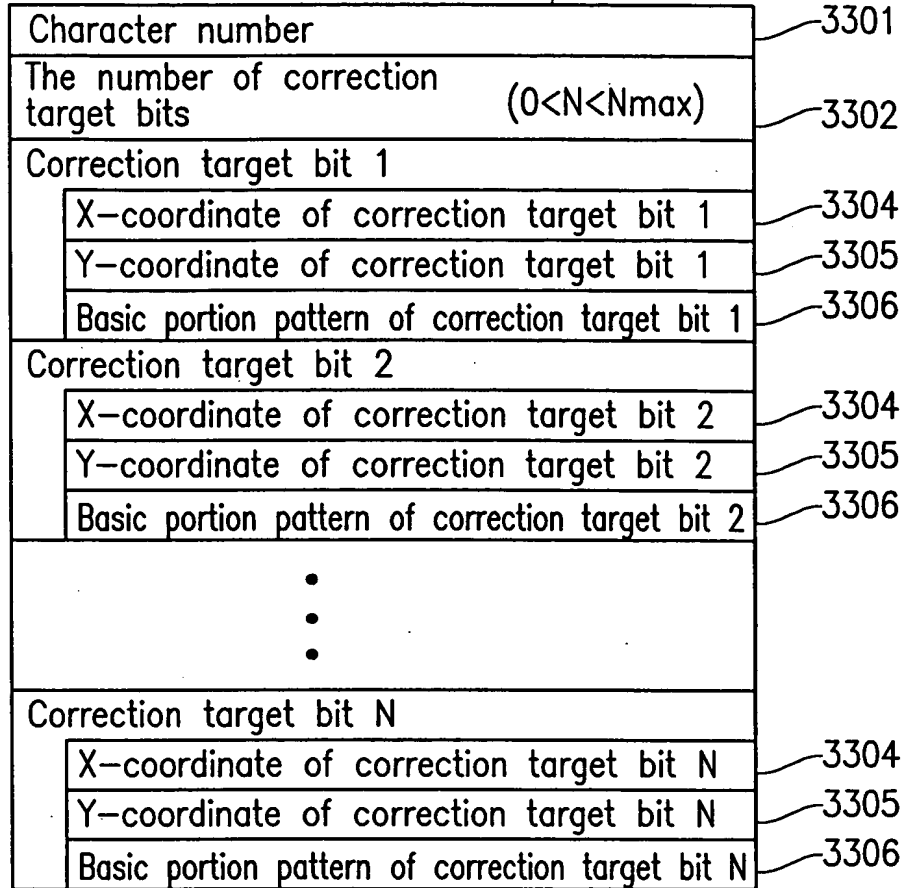


FIG. 29

5e



FOUO" 2F249860

FIG. 30

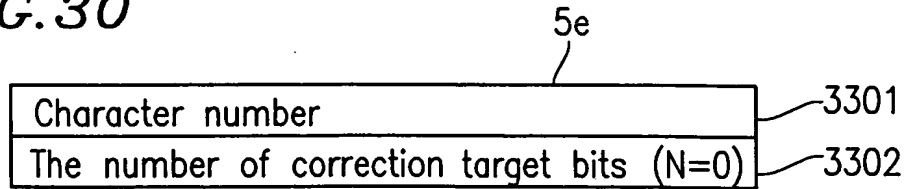


FIG. 31

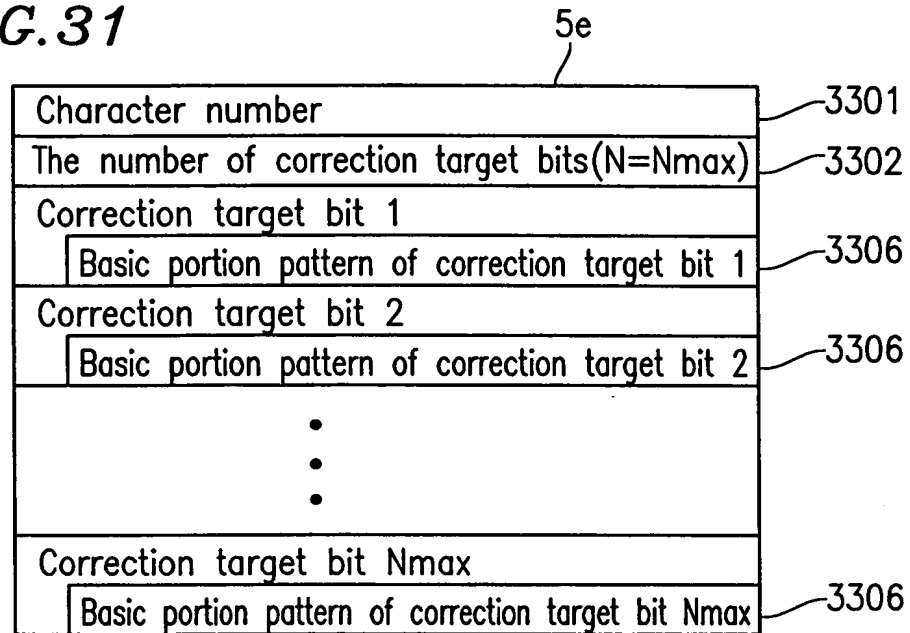


FIG. 32

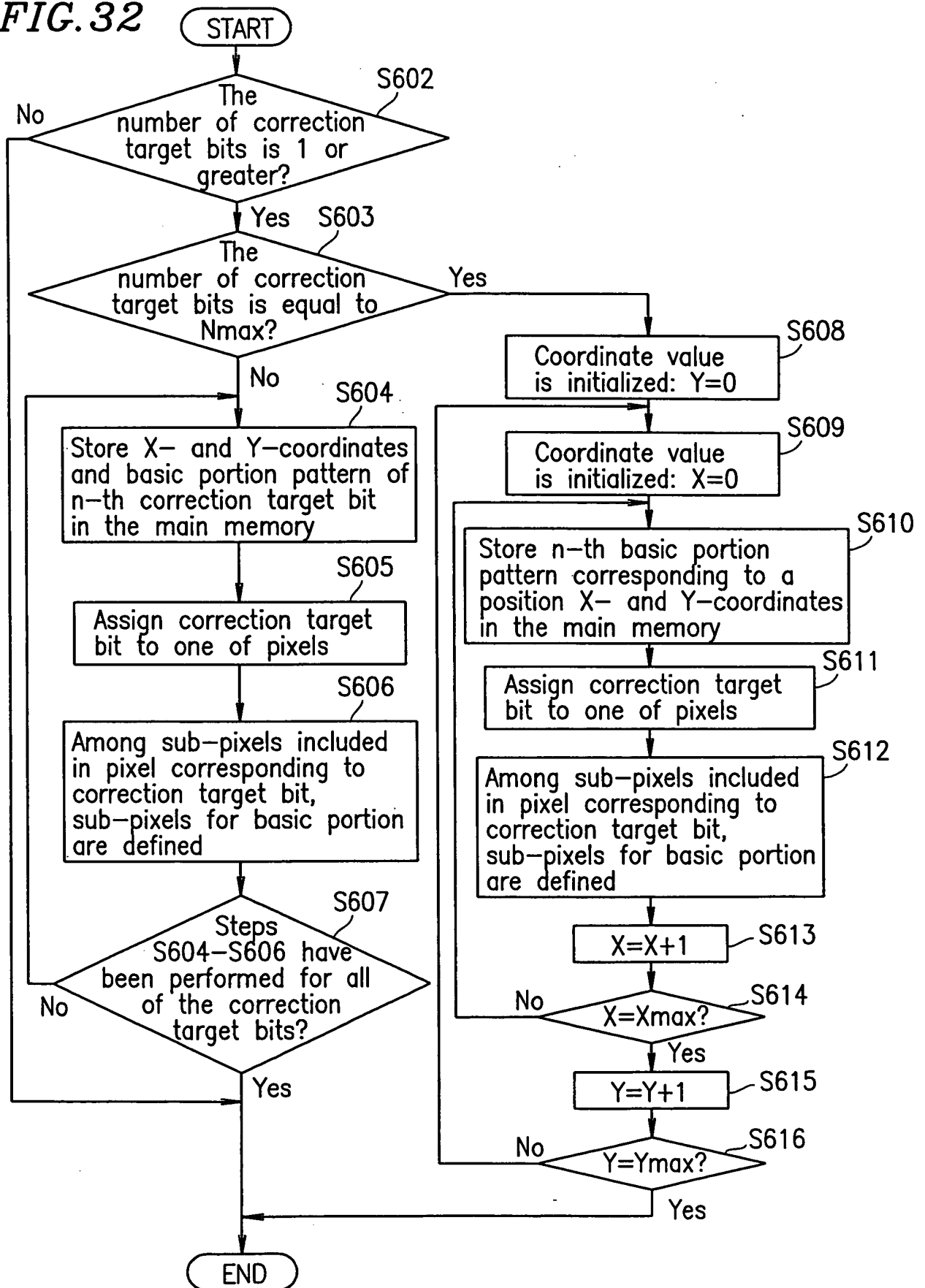
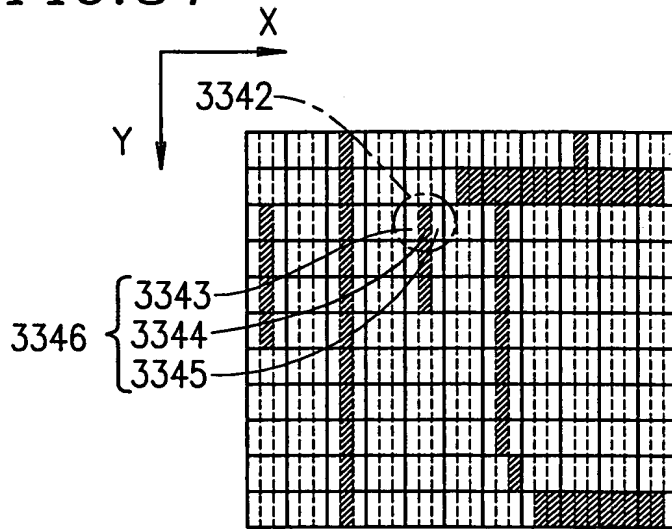


FIG. 33

5e

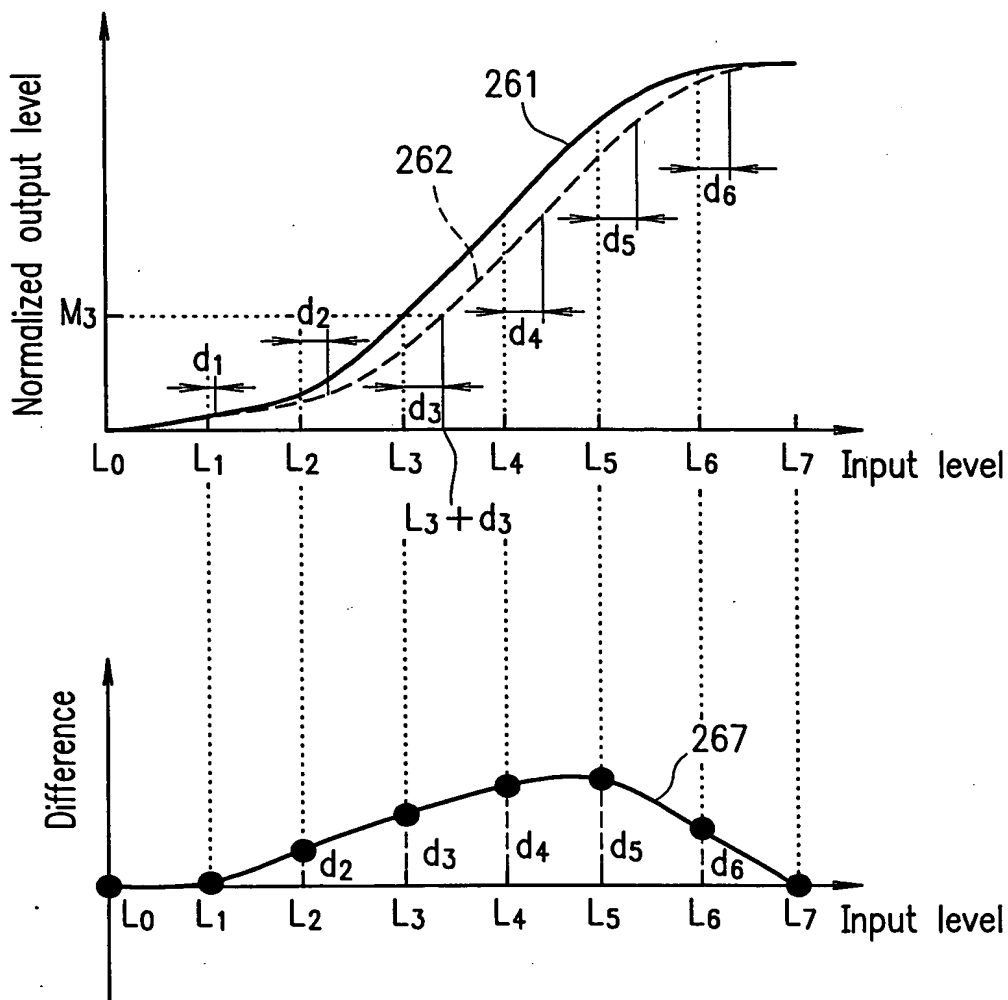
4327 : Character number "ㄣ"	3301
1 : The number of correction target bits	3302
(Correction target bit 1)	
4 : X-coordinate of correction target bit 1	3304
2 : Y-coordinate of correction target bit 1	3305
(0,1,0) : Basic portion pattern of correction target bit 1	3306

FIG. 34



705250 47279660

FIG. 35



FOUO 2729880

FIG. 36

2792

		Brightness level		
		R	G	B
Color element level	7	0	0	0
	6	+2	+2	+14
	5	+4	+3	+18
	4	+7	+5	+25
	3	+8	+6	+20
	2	+9	+7	+15
	1	+5	+4	+6
	0	0	0	0

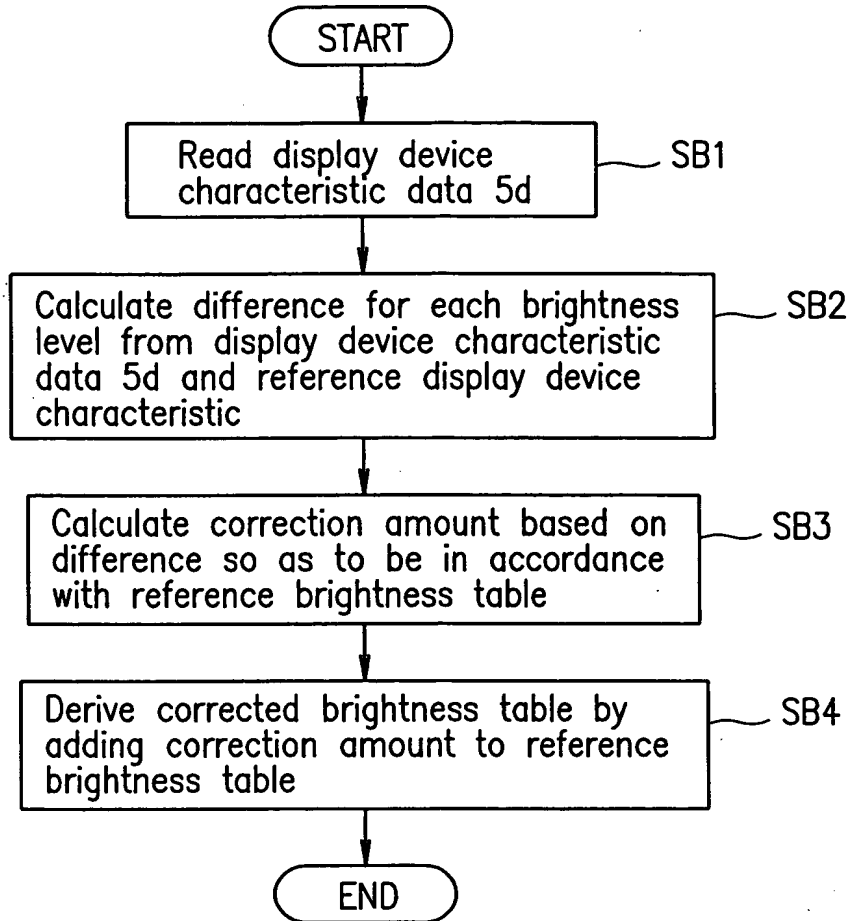
FIG. 37

Corrected brightness table 2892

		Brightness level		
		R	G	B
Color element level	7	0	0	0
	6	38	38	50
	5	77	76	91
	4	116	114	134
	3	154	152	166
	2	191	189	197
	1	224	223	225
	0	255	255	255

TABLE 2892

FIG. 38



FOR 2025 RELEASE

FIG. 39A

900

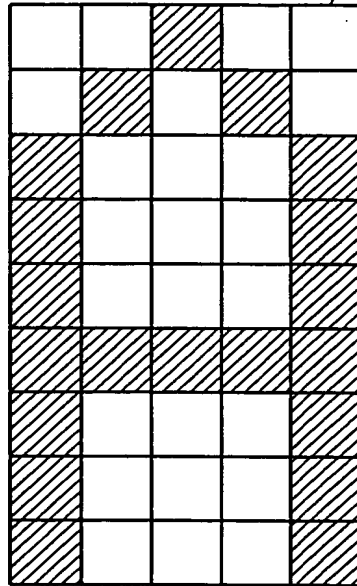


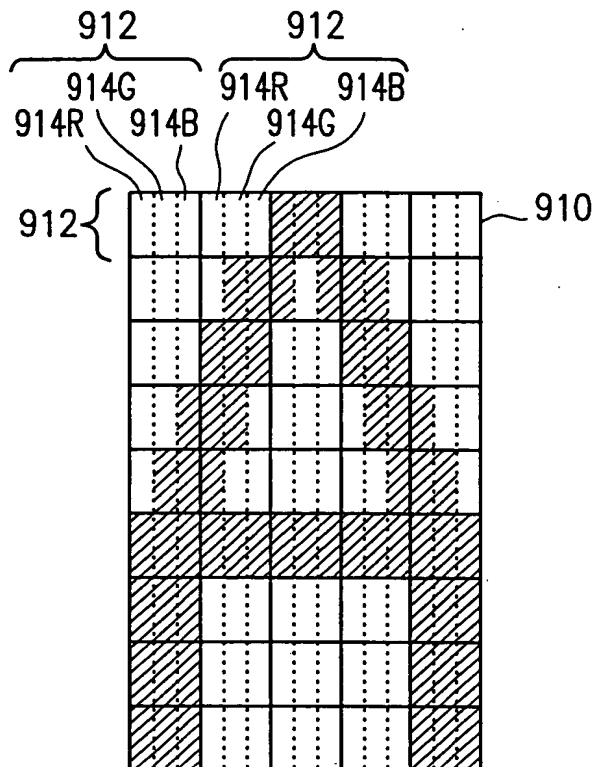
FIG. 39B

904

0	0	1	0	0
0	1	0	1	0
1	0	0	0	1
1	0	0	0	1
1	0	0	0	1
1	1	1	1	1
1	0	0	0	1
1	0	0	0	1
1	0	0	0	1

FOUO 249860

FIG. 40A



0984217 052504

FIG. 40B

FIG. 40B

916														
916R				916G				916B						
0	0	1	0	0	0	1	0	0	0	1	0	0		
0	0	1	1	0	0	1	0	1	0	1	0	0		
0	1	0	1	0	0	1	0	1	0	1	0	0		
0	1	0	0	1	0	1	0	1	0	0	1	0		
0	1	0	0	1	1	0	0	0	1	1	0	0	1	0
1	1	1	1	1	1	1	1	1	1	1	1	1	1	1
1	0	0	0	1	1	0	0	0	1	1	0	0	0	1
1	0	0	0	1	1	0	0	0	1	1	0	0	0	1
1	0	0	0	1	1	0	0	0	1	1	0	0	0	1